

MODEL J SERIES



A snap-action thermal protector suitable for use on 120/240/277 VAC loads. Available with a variety of bimetallic elements to vary the circuit breaker characteristics of the device. Excellent for use as a short circuit protector for rechargeable battery packs.

FEATURES

- Snap-action device; quick make/quick break switching action.
- Temperature differential between opening and closing can vary from 10°C to 70°C—depending upon the no-load calibration temperature. Tighter differentials available upon request.
- Conductive bimetal construction; the bimetallic element carries the circuit current for maximum sensitivity under short circuit conditions.
- Preset calibration temperature; not adjustable in the field.
- Case electrically alive; insulating sleeving is available.
- Available with factory applied lead wires.

CONTACT RATINGS

- VDE certified

NOTE: SPECIAL STAMPING REQUIRED

MAXIMUM BREAKING CURRENT (DC TYPE BATTERY LOADS)

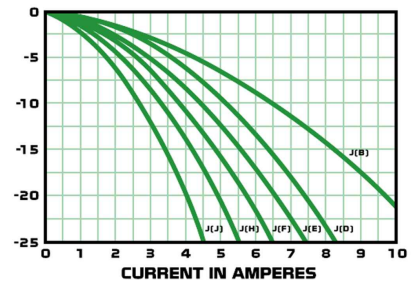
- Up to 150 amps/12 volts DC

Please consult our Sales Engineers for suggested contact ratings when applied to DC type loads.

CALIBRATION TEMPERATURE RANGE

- Available with nominal calibration temperatures from 60°C to 150°C.

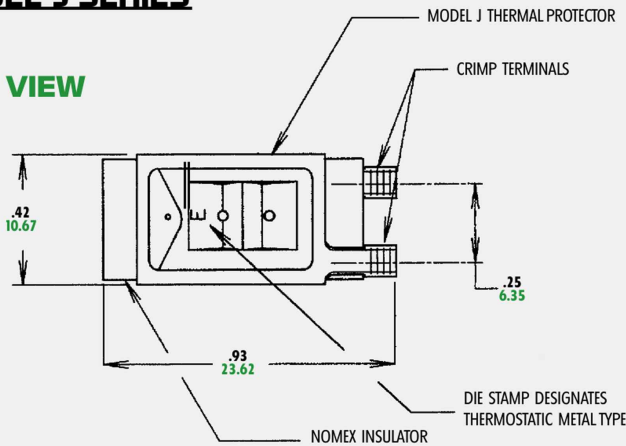
CURRENT DERATING CURVE



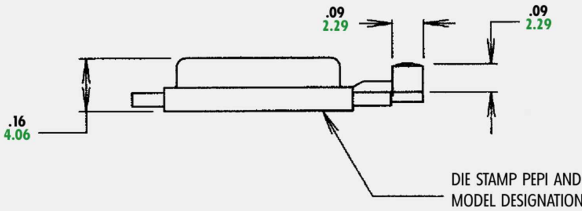
We come through when the heat is on[®]

MODEL J SERIES

TOP VIEW



SIDE VIEW



METRIC DIMENSIONS ARE IN MM (SHOWN IN GREEN)

Copyright 2006, Portage Electric Products, Incorporated, all right reserved



Portage Electric Products, Inc.

MODEL J-2



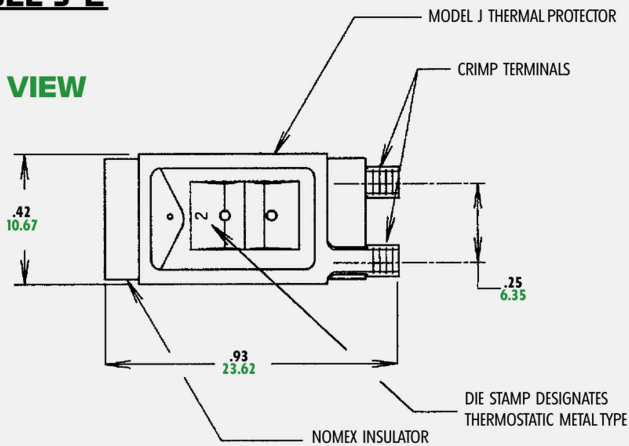
A snap action thermostat that functions like a non-resettable type control. This single operation thermostat performs like a thermal fuse with the reliability of a 100% tested bimetallic thermal control.

FEATURES

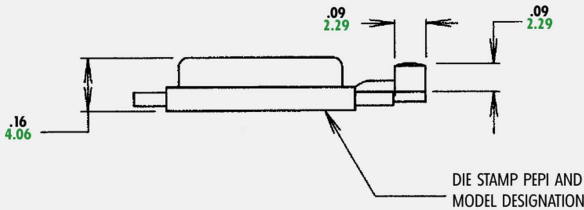
- Conductive bimetal construction; the bimetallic element carries the circuit current for maximum current sensitivity under short circuit conditions.
- Snap action device; quick make/quick break switching action.
- Single operation type device. The reset temperature is less than 0°C. This prevents the thermostat from resetting under normal operating conditions.
- Case is electrically alive, insulation material is available to provide isolation from the circuit.
- Preset calibration temperature, not adjustable in the field.
- Available with factory applied leads.

MODEL J-2

TOP VIEW



SIDE VIEW



CONTACT RATINGS

- 15 amps/120 volts AC resistive
- VDE certified

NOTE: SPECIAL STAMPING REQUIRED

CALIBRATION TEMPERATURE RANGE

- Available with nominal calibration temperatures from 70°C to 160°C.

CURRENT DERATING CURVE



METRIC DIMENSIONS ARE IN MM (SHOWN IN GREEN)

Copyright 2006, Portage Electric Products, Incorporated, all right reserved

We come through when the heat is on®



Pepi®

Portage Electric Products, Inc.